

# Driving Significant Azure Consumption by Removing Security Blockers



## About Barracuda Networks (NYSE: CUDA)

Over 150,000 customers worldwide

The **GO-TO-GUYS** for security in Azure

**Security solutions** for:

- Public-facing **Web Applications**
- Infrastructure-wide **Secure Connectivity**
- Workloads with **Remote Connectivity** Requirements
- Securely Connected **Hybrid Environments**

More about Barracuda Networks on Azure

- **First** Microsoft Azure Certified security appliance
- **First** security appliance in Azure Marketplace
- **First** security vendor to support new Azure networking and automation enhancements
- **First** security vendor to provide additional enhancements to ExpressRoute
- **First** security vendor to support AzureApps environment

### Deployed in hundreds of Azure enterprise accounts.



Contact Us | [www.barracuda.com/azure](http://www.barracuda.com/azure) | [azure\\_support@barracuda.com](mailto:azure_support@barracuda.com)

## Key Use Case/Workloads



- View, control, and log (for compliance) all traffic (in & out)
- Data Centre Migration to Azure
- Remote Workload with lots of connections
- Hybrid Cloud with ExpressRoute providing security, reliability, and intelligence,



- Everytime a public application is published:
- Sharepoint Farm Migration
- Custom-built Web Applications
- Azure App Service (web, mobile, API)
- ADFS in Azure

## Velocity in Azure and Azure Marketplace



## Key Use Cases

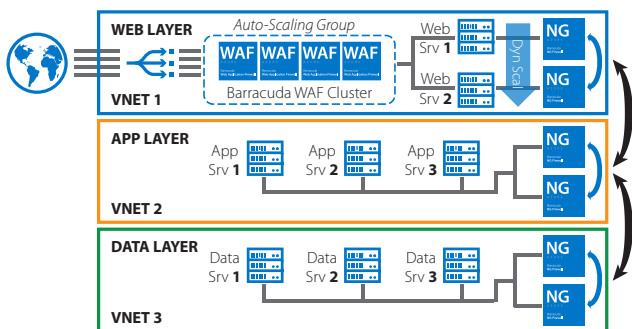
- Securing & connecting VNets in Microsoft Azure
- Secure high-performance VPN connections
- Deploying secure multi-tier network architectures
- IDS/IPS protection between VNets



The industry’s most advanced next-generation firewall solution for Microsoft Azure

## Barracuda NG Firewall

- Traffic access control (Firewalling)  
IP addresses, ports, protocols | User identity and AD security groups | RPC portmapper information | FQDN | Application detection
- Encrypted ExpressRoute  
Encrypt traffic sent over MPLS | Merge on-prem and Azure DC security domains | Full control over keys/algorithms
- Preserving low latency  
QoS for packet-priority queueing | Traffic Intelligence for automatically re-routing bulk traffic | WAN Optimization for compressing bulk traffic
- MPLS Failure Protection  
Graceful fail-over to Internet VPN | Zero connection drops | Support for multiple ISP uplinks



### Spotlight Use Case

#### Barracuda NG Firewall & ExpressRoute

- Security  
Encrypt ExpressRoute traffic | Block access | Inspect and log
- Reliability  
VPN for secondary backup connection | Multiple ExpressRoutes,
- Intelligence  
Prioritize application traffic | Allow/deny users or user groups

## Key Use Cases

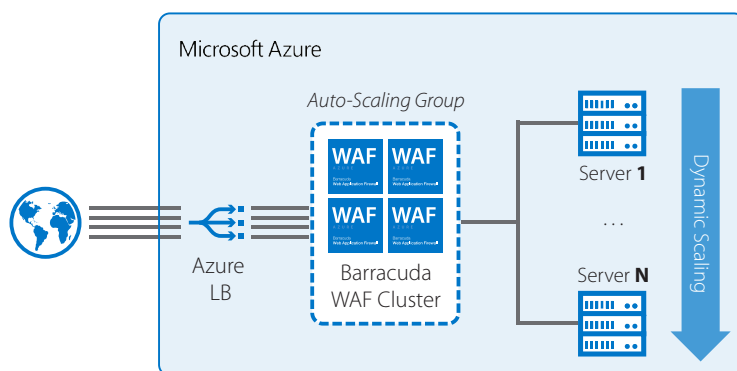
- Full application security for web applications
- Securing scaling elastic applications
- Publishing SharePoint securely in Microsoft Azure



The first integrated, proven and highly scalable security solution on Microsoft Azure

## Barracuda Web Application Firewall

- Comprehensive solution for application security  
Protect web applications from data breaches, defacement, OWASP top ten attacks, application-layer DDoS
- Provides constant protection from evolving threats  
Receive automatic updates with defense against new threats and vulnerabilities with real-time protection
- Granular identity and access management  
Use strong authentication and access control to ensure security and privacy
- Scalable application security  
Dynamically scale Barracuda Web Application Firewalls based on business needs



## Next Steps

- Contact us to engage on customer opportunities:  
[azure\\_support@barracuda.com](mailto:azure_support@barracuda.com)
- Get more information about our solutions:  
[www.barracuda.com/azure](http://www.barracuda.com/azure)